

# Practice Test for

## Senior

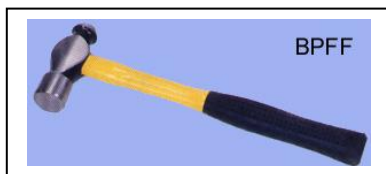
Name \_\_\_\_\_ Club \_\_\_\_\_

### A. Section 1 (125 points)

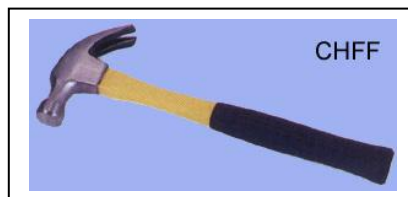
Identify the following 7 tools.

1. \_\_\_\_\_
2. \_\_\_\_\_
3. \_\_\_\_\_
4. \_\_\_\_\_
5. \_\_\_\_\_
6. \_\_\_\_\_
7. \_\_\_\_\_

Write the name of the tool in the box below the picture. All the tools are hammers or saws.



Ball Pein



Claw



Drywall



Masonry



Rubber Mallet



Sledge



Framing



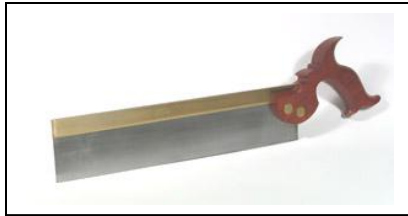
Tack



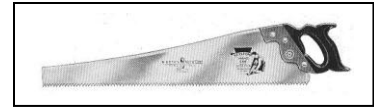
Brick



Back Saw



Tenon Saw



Handsaw



Compass Saw



Keyhole Saw



Hacksaw



Coping Saw



Dovetail Saw



Utility Saw

## B. Section 2 ( Fasteners 50 points)

Identify the following 10 fasteners

1. \_\_\_\_\_
2. \_\_\_\_\_
3. \_\_\_\_\_
4. \_\_\_\_\_
5. \_\_\_\_\_
6. \_\_\_\_\_
7. \_\_\_\_\_
8. \_\_\_\_\_
9. \_\_\_\_\_
10. \_\_\_\_\_

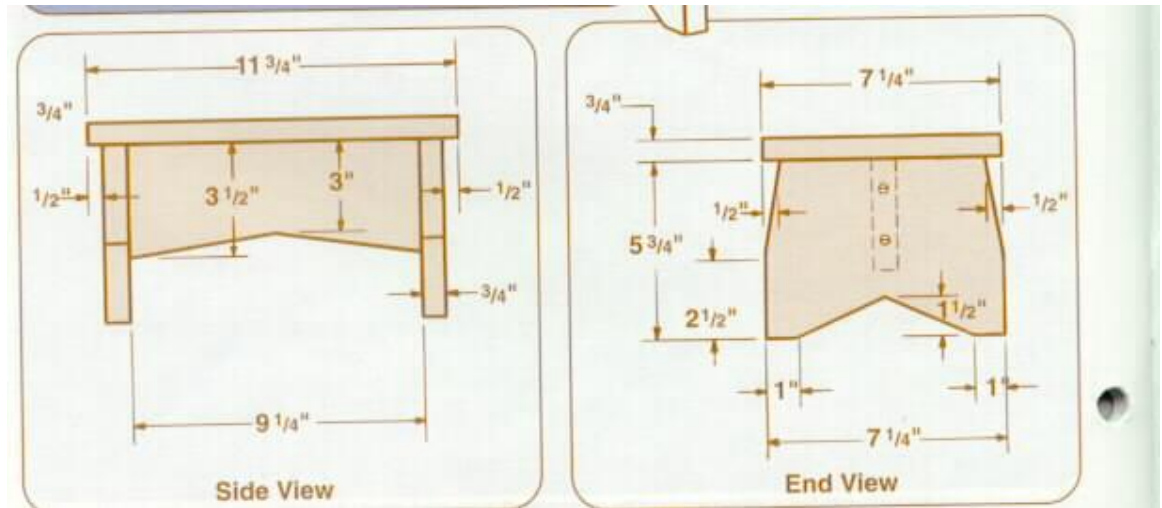
## C. Section 3 (Fill in the Blank – 75 points)

1. UL is an abbreviation for Underwriters  
Laboratory.
2. A Grounded electrical plug has 3 prongs.
3. Plywood always has an odd number of Layers.
4. The floor on bowling alleys is almost always made out of Maple.
5. Flat grain lumber has a curving grain when looked at from the end of the board.
6. There are 2 main types of plywood, interior and exterior.
7. Unlike other squares, the combination square is useful for marking and checking exact 45 degree angles.
8. The most common synthetic paint brushes are made out of nylon.
9. After painting with latex paints, brushes can usually be cleaned with water.
10. A cut that has an angle greater than or less than 90 degrees is called a bevel cut.
11. A list which gives the number of pieces of material is called a Bill of Materials.

12. Pine, cedar, redwood, fir and cypress are examples of softwoods.
13. Miter joints are often used to make corners for picture frames and other furniture items.
14. A reddish-brown colored sandpaper used for sanding wood objects is called Garnet sandpaper.
15. Shellac is an insect produced product used to seal wood.

### D. Section 4 – 50 points

Listed below are the plans for a foot stool. Indicate how many pieces of each size of lumber are needed to construct this project .



- 2 pieces of 1" x 8" x 12" pine
- \_\_\_\_\_ pieces of 1" x 6" x 12" pine
- 1 pieces of 1" x 4" x 12" pine
- \_\_\_\_\_ pieces of 1" x 2" x 12" pine
- \_\_\_\_\_ pieces of 2" x 4" x 12" pine